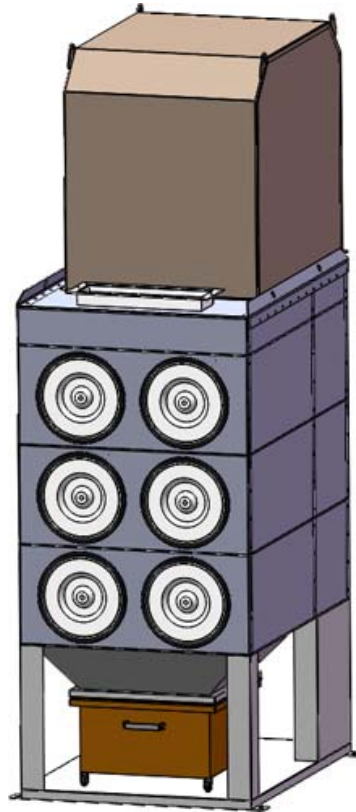


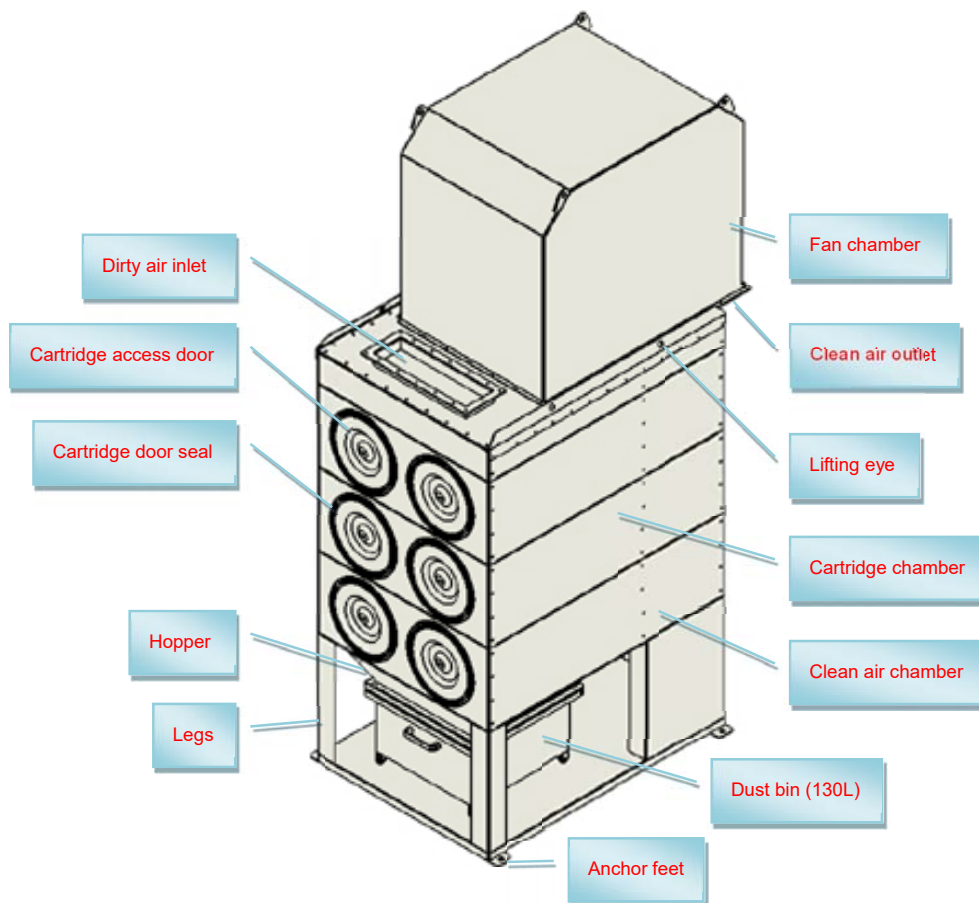
## I-Series Cartridge Pulse Clean Dust Collectors



### Self-contained Filter Unit with 2 - 8 Cartridges

- Compact structure to save floor space; Standard space requirement: 1200mm \* 1800mm
- Built-in fans, fan starter, pulse valve, controller and pressure gauges are standard.
- Specially designed venturi injection nozzles improve the pulse clean on filters and increase their service life
- The cartridge filters are easy to access and replace.

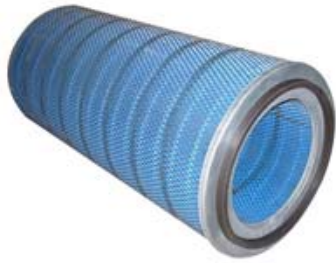
## Main Components



### Standard Operating Conditions:

- Seismic Rating (zone): 4
- Wind Load Rating (Km/h): 160
- Housing Rating (Pa): +3800 / -5000
- Compressed Air Required: 0.62-0.67 MPa (90-100 psig)

## Typical Cartridges & Applications



### Cellulose Cartridge

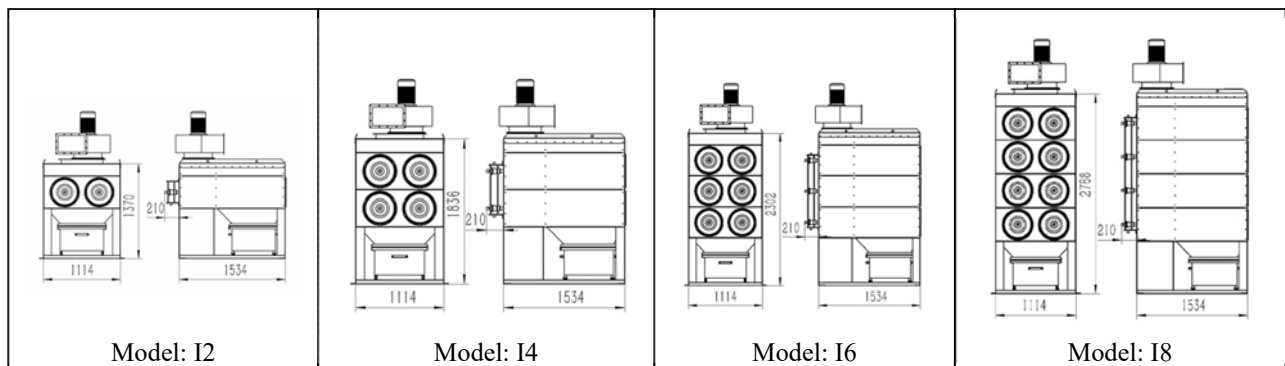
#### Application:

- Metal working
- Welding
- Plasma / Laser cutting
- Shot blasting
- Mining industry
- Gas turbine inlet
- Many other dust collections

## Models & Specifications

Model	Cartridges	Filter Area*	Pulse Valves	Airflow	Fan
<i>I2</i>	<i>2 pcs</i>	<i>64.00 m<sup>2</sup></i>	<i>2 pcs</i>	<i>2400 m<sup>3</sup>/hr.</i>	<i>4.0 Kw</i>
<i>I4</i>	<i>4 pcs</i>	<i>128.00 m<sup>2</sup></i>	<i>4 pcs</i>	<i>4800 m<sup>3</sup>/hr.</i>	<i>7.5 Kw</i>
<i>I6</i>	<i>6 pcs</i>	<i>192.00 m<sup>2</sup></i>	<i>6 pcs</i>	<i>7200 m<sup>3</sup>/hr.</i>	<i>11 Kw</i>
<i>I8</i>	<i>8 pcs</i>	<i>256.00 m<sup>2</sup></i>	<i>8 pcs</i>	<i>9600 m<sup>3</sup>/hr.</i>	<i>15 Kw</i>

## Outer Dimensions (Excluding Fan)



## Standard Components

- Cartridge filter chamber
- Clean air chamber
- Centrifugal fan
- Cellulose cartridge filters
- Hopper
- Supporting legs
- Explosion relief provision
- System control panel
- Dust bin
- Pulse valves
- Pulse valve controller
- Differential pressure gauge
- Powder coated finish
- Pulse on demand control

## Typical Installations

